

DINRAIL

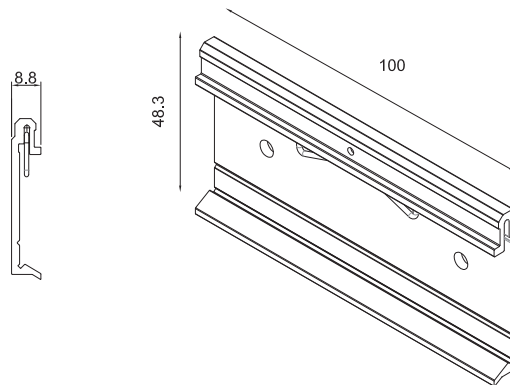
DIAMOND Series DIN-RAIL Mount Kit



Specifications

Mounting Method	• DIN-RAIL Mount
Dimension (W x D x H)	• 100 x 48.3 x 8.8 mm
Weight	• 0.04 kg
Material	• AL 6063

Dimensions



Unit: mm

Ordering Information

Available Models

Model No.	Description
DINRAIL-R10	DIAMOND Series DIN-RAIL Mount Kit

Package Checklist

- DINRAIL Mount Bracket x1
- Screw Pack x1

Compatible List

Model No.	DINRAIL
DA Series	V
DC-1100	V
DE Series	V
DI Series	V
DV Series	V

V : Compatible